

| REV. | DESCRIPTION | DRAWN | CHECKED | APPROVED |
|------|-------------|-------------|---------|----------|
| A | NEW RELEASE | HP 24/06/05 | | |
| | | | | |
| | | | | |

Female Terminal

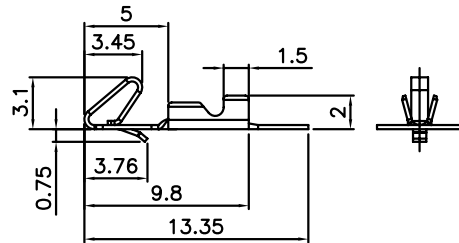
| Wire Range | | O.D of Wire |
|---------------------------------|-------|-------------|
| Section Area (mm ²) | AWG# | mm |
| 0.08~0.33 | 28~22 | 1.2~1.9 |

NOTES:

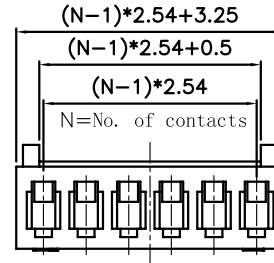
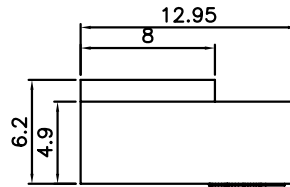
1. MAIN SPECIFICATIONS

- . Housing material: NYLON 66
- . Wire range: AWG#28~#22
- . Rated voltage: 250V
- . Rated current: 1A
- . Contact resistance: $\leq 30\text{m}\Omega$
- . Insulation resistance: $\geq 1000\text{M}\Omega$
- . Withstanding voltage: 500V,AC 1 minute
- . Temperature range: $-25 \sim +85^{\circ}\text{C}$
- . Recommend PC board thickness: 1.6mm

Female Terminal



Female Housing

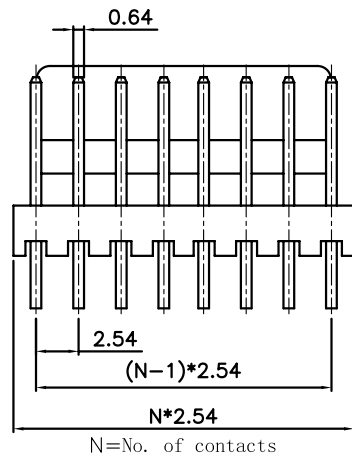


2. PRODUCT NUMBER CODE:

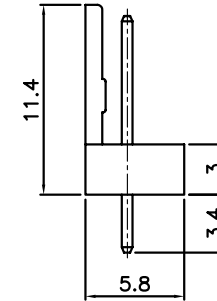
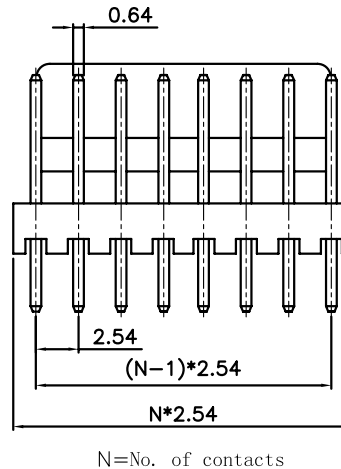
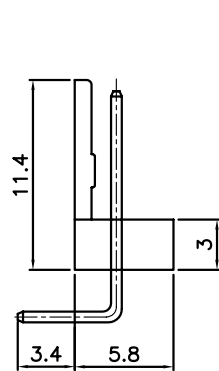
DS1070 - X X X X X

- Contact Plating
6: Tin
8: Full gold flash
- Housing Color
V: Ivory
T: Transparent
- Mounting type
R: Right angle
C: Crimp
V: V/T
- Connector type
M: Male
F: Female
- No. of contact
02 to 20pin

Male Right Angle



Male V/T TYPE



| GENERAL TOLERANCE | | ANGLE TOLERANCE | | PROJECTION | TITLE |
|-------------------|----------------|---------------------|----------------------------|------------|------------------------|
| X. ± 0.60 | .X ± 0.38 | X. $\pm 5^{\circ}$ | .X $\pm 3^{\circ}$ | mm | P.C.B CONNECTOR 2.54mm |
| .XX ± 0.25 | | .XX $\pm 2^{\circ}$ | | A4 | SERIES DS1070 |
| DRAWING TYPE | CUSTOMER | | SHEET 1 OF 1 | | |
| SCALE | 1:1 | | DRAWING NO. C-DS1070-XXXXX | | |
| DRAWING NO. | C-DS1070-XXXXX | | | | |

| WF-02 | 2.54 | WF-06 | 2.54 | WF-10 | 2.54 | WF-14 | 2.54 | WF-16S | | HU-09 | 2.54 |
|--------|------|--------|------|--------|------|--------|------|--------|------|-------|------|
| WF-02R | 2.54 | WF-06R | 2.54 | WF-10R | 2.54 | WF-14R | 2.54 | HU-02 | 2.54 | HU-10 | 2.54 |
| WF-03 | 2.54 | WF-07 | 2.54 | WF-11 | 2.54 | WF-14S | 2.54 | HU-03 | 2.54 | HU-11 | 2.54 |
| WF-03R | 2.54 | WF-07R | 2.54 | WF-11R | 2.54 | WF-15 | 2.54 | HU-04 | 2.54 | HU-12 | 2.54 |
| WF-04 | 2.54 | WF-08 | 2.54 | WF-12 | 2.54 | WF-15R | 2.54 | HU-05 | 2.54 | HU-13 | 2.54 |
| WF-04R | 2.54 | WF-08R | 2.54 | WF-12R | 2.54 | WF-15S | 2.54 | HU-06 | 2.54 | HU-14 | 2.54 |
| WF-05 | 2.54 | WF-09 | 2.54 | WF-13 | 2.54 | WF-16 | 2.54 | HU-07 | 2.54 | HU-15 | 2.54 |
| WF-05R | 2.54 | WF-09R | 2.54 | WF-13R | 2.54 | WF-16R | 2.54 | HU-08 | 2.54 | HU-16 | 2.54 |