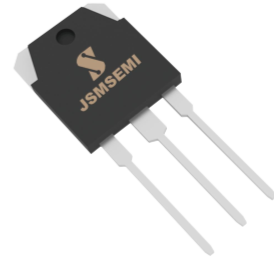


DESCRIPTION

- With TO-247 package
- Complement to type TIP35/35A/35B/35C
- DC current gain $h_{FE}=25(\text{Min})@I_C=-1.5\text{A}$

APPLICATIONS

- Designed for use in general purpose power amplifier and switching applications.


Absolute maximum ratings(Ta=°C)

SYMBOL	PARAMETER	CONDITIONS	VALUE	UNIT
V _{CBO}	Collector-base voltage	TIP36	-40	V
		TIP36A	-60	
		TIP36B	-80	
		TIP36C	-100	
V _{CEO}	Collector-emitter voltage	TIP36	-40	V
		TIP36A	-60	
		TIP36B	-80	
		TIP36C	-100	
V _{EBO}	Emitter-base voltage	Open collector	-5	V
I _C	Collector current		-25	A
I _{CM}	Collector current-peak		-40	A
I _B	Base current		-5	A
P _C	Collector power dissipation	T _C =25°C	125	W
T _j	Junction temperature		150	°C
T _{stg}	Storage temperature		-65~150	°C

THERMAL CHARACTERISTICS

SYMBOL	PARAMETER	MAX	UNIT
R _{thj-c}	Thermal resistance junction to case	1.0	°C/W

CHARACTERISTICS

 T_j=25°C unless otherwise specified

SYMBOL	PARAMETER		CONDITIONS	MIN	TYP.	MAX	UNIT
V _{CEO(SUS)}	Collector-emitter sustaining voltage	TIP36	I _C =-30mA ; I _B =0	-40			V
		TIP36A		-60			
		TIP36B		-80			
		TIP36C		-100			
V _{CEsat-1}	Collector-emitter saturation voltage		I _C =-15A ; I _B =-1.5A			-1.8	V
V _{CEsat-2}	Collector-emitter saturation voltage		I _C =-25A ; I _B =-5A			-4.0	V
V _{BE-1}	Base-emitter on voltage		I _C =-15A ; V _{CE} =-4V			-2.0	V
V _{BE-2}	Base-emitter on voltage		I _C =-25A ; V _{CE} =-4V			-4.0	V
I _{CEO}	Collector cut-off current	TIP36/36A	V _{CE} =-30V ; I _B =0			-1.0	mA
		TIP36B/36C	V _{CE} =-60V ; I _B =0				
I _{CES}	Collector cut-off current	TIP36	V _{CE} =-40V ; V _{EB} =0			-0.7	mA
		TIP36A	V _{CE} =-60V ; V _{EB} =0				
		TIP36B	V _{CE} =-80V ; V _{EB} =0				
		TIP36C	V _{CE} =-100V ; V _{EB} =0				
I _{EBO}	Emitter cut-off current		V _{EB} =-5V ; I _C =0			-1.0	mA
h _{FE-1}	DC current gain		I _C =-1.5A ; V _{CE} =-4V	25			
h _{FE-2}	DC current gain		I _C =-15A ; V _{CE} =-4V	15		75	
f _T	Transition frequency		I _C =-1A ; V _{CE} =-10V	3			MHz

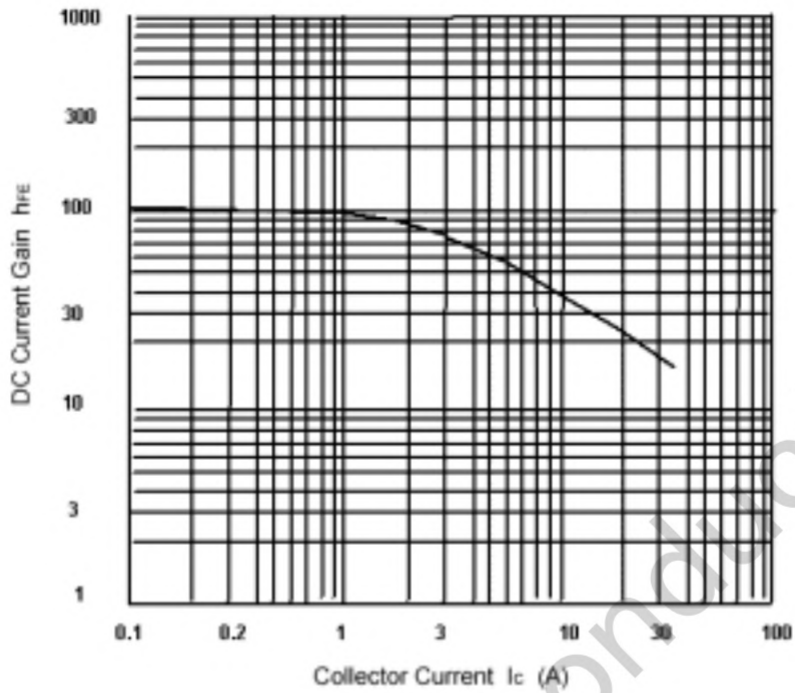


Fig.3 DC current Gain

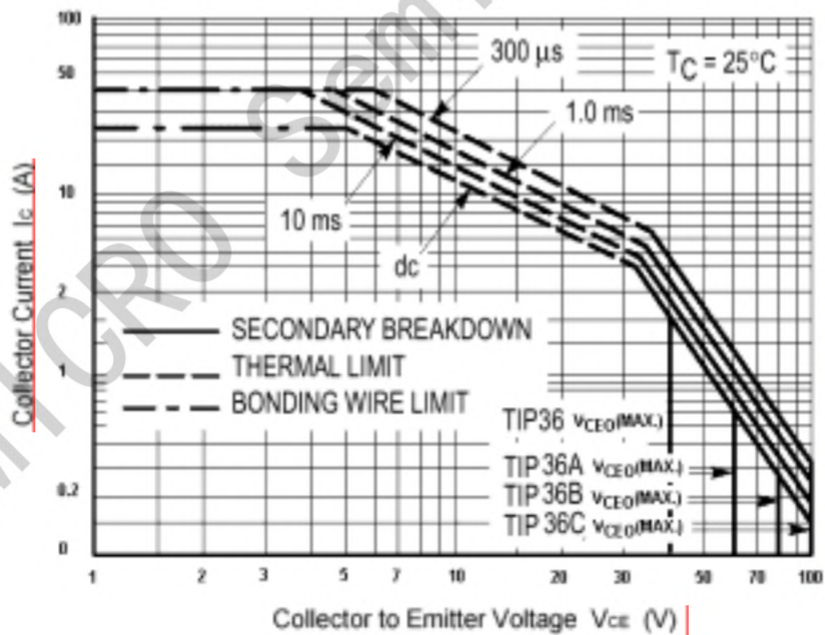
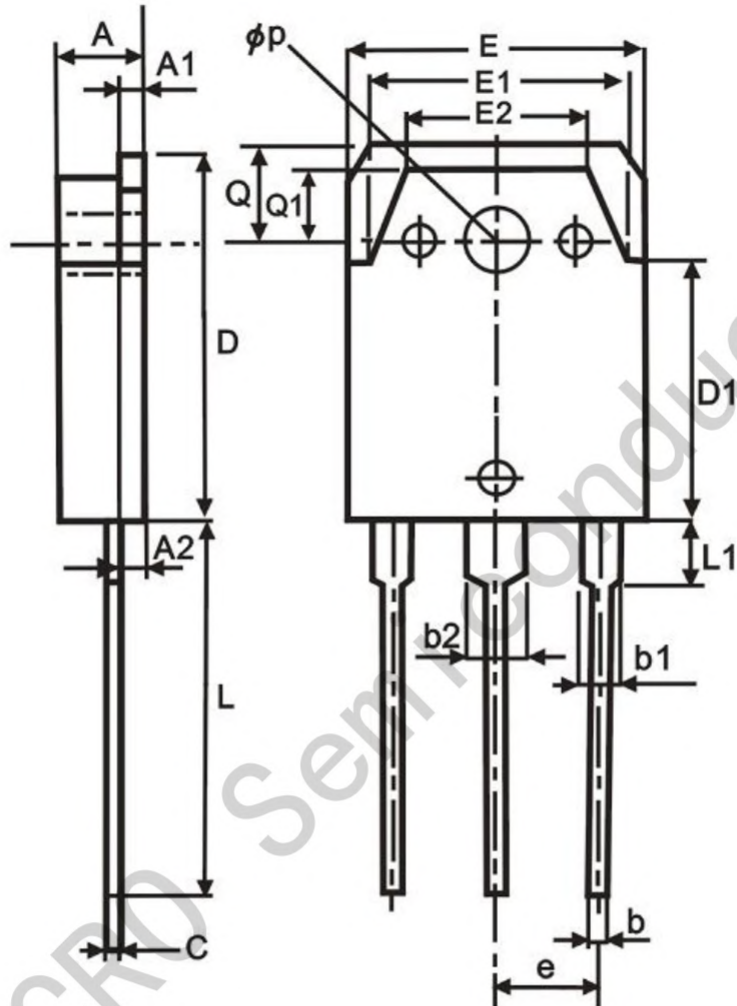


Fig.4 Safe Operating Area

Package Information

TO-247



UNIT: mm

SYMBOL	min	nom	max	SYMBOL	min	nom	max
A	4.40		5.10	E	15.20		16.20
A1	1.40	1.50	1.70	E1		13.60	
A2	2.10	2.40	2.70	E2		9.60	
b	0.80	1.00	1.20	e	5.15	5.45	5.75
b1	1.90		2.30	L	19.00	20.00	21.00
b2	2.90		3.30	L1	2.50		3.50
C	0.45	0.60	0.75	Q		5.10	
D	19.40	19.90	20.40	Q1		3.90	
D1		13.90					