

BRIDGE RECTIFIER

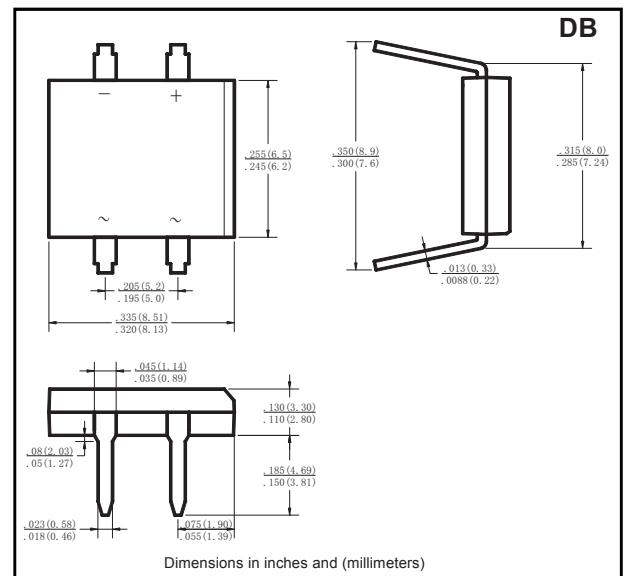
FEATURES

- I_o 2A
- V_{RRM} 50V~1000V
- Glass passivated chip
- High surge forward current capability

APPLICATIONS

- General purpose 1 phase Bridge rectifier applications

Outline Dimensions and Mark



ABSOLUTE MAXIMUM RATING & ELECTRICAL CHARACTERISTICS (TA=25 °C)

		SYMBOLS	DB201	DB202	DB203	DB204	DB205	DB206	DB207	UNITS	
Repetitive Peak Reverse Voltage		V_{RRM}	50	100	200	400	600	800	1000	Volts	
Average Rectified Output Current 60Hz, $T_a=25$ 60Hz sine wave, R-load, $T_a=25$		I_o					2.0				Amps
Surge(Non-Repetitive) Forward Current 60HZ, $T_j=25$ 60HZ sine wave, 1 cycle, $T_j=25$		I_{FSM}					60				Amps
Current Squared Time $1ms \leq t < 8.3ms$ $T_j=25$, $1ms \leq t < 8.3ms$ $T_j=25$, Rating of per diode		I^2T					15				A ² s
Peak Forward Voltage $I_{FM}=2.0A$, Pulse measurement, Rating of per diode		V_F					1.1				Volts
Peak Reverse Current $V_{RM}=V_{RRM}$, Pulse measurement, Rating of per diode		I_{RRM}					10				μ Amps
Thermal Resistance	Between junction & ambient	$R_{\theta JA}$					68				$^{\circ}C/W$
	Between junction and lead	$R_{\theta JL}$					15				
Operating Temperature Range		T_j					-55 to +150				$^{\circ}C$
Storage Temperature Range		T_{STG}					-55 to +150				$^{\circ}C$

BRIDGE RECTIFIER

CHARACTERISTICS (TYPICAL)

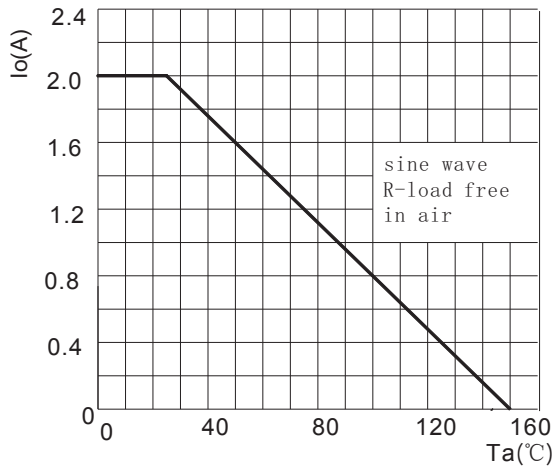
 FIG1: I_o - T_a Curve


FIG2: Surge Forward Current Capability

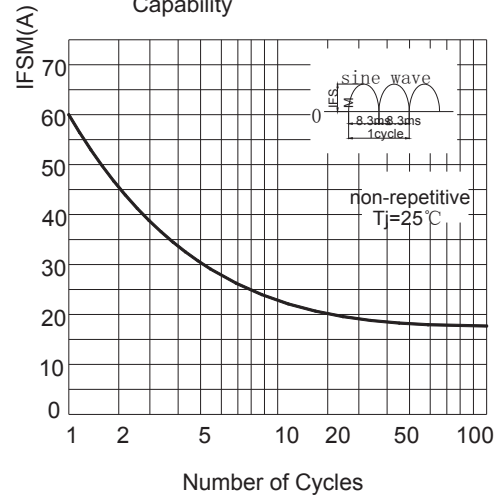


FIG3: Forward Voltage

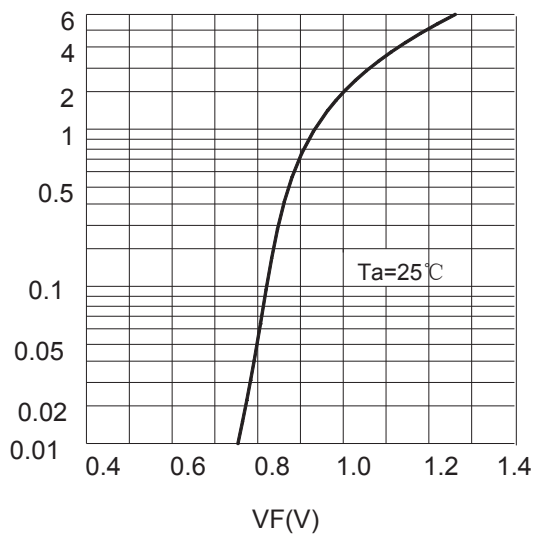
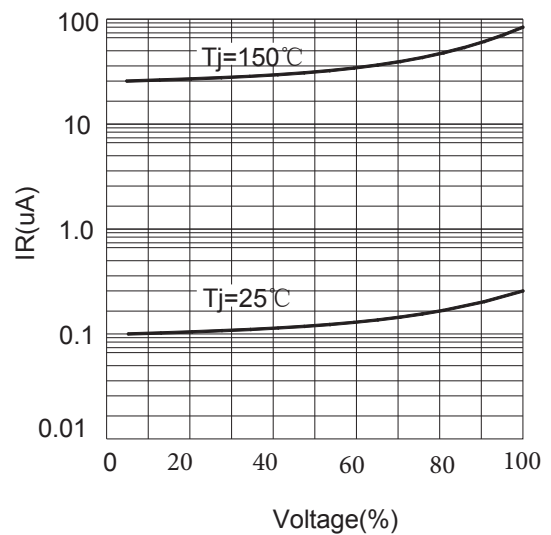


FIG4: Typical Reverse Characteristics



Disclaimer

All product, product specifications and data are subject to change without notice to improve reliability, function or design or otherwise.