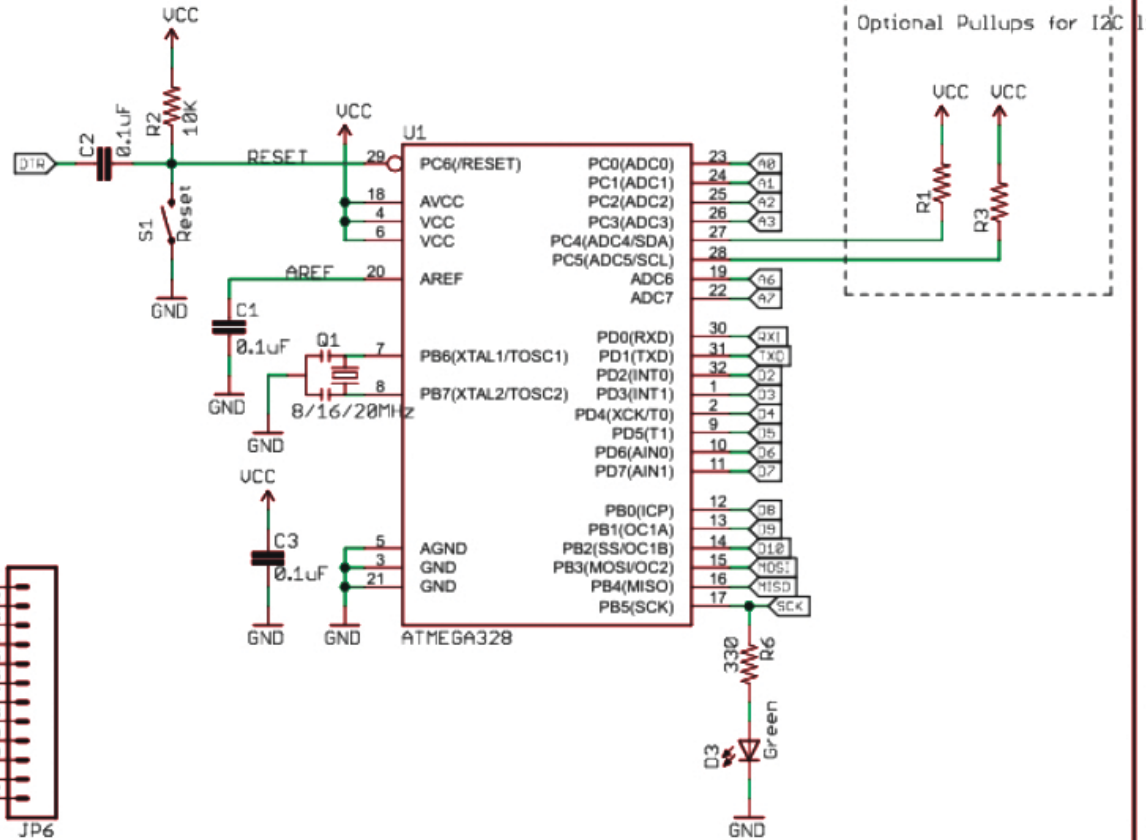
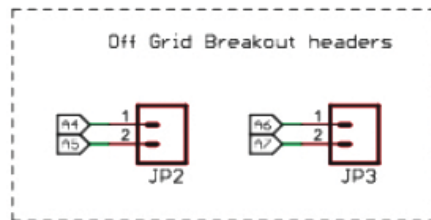
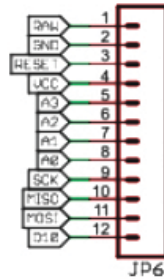
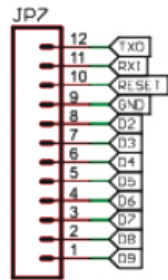
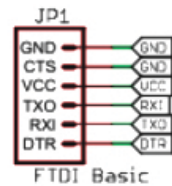


Board is marked with combination of resonator frequency and regulator voltage.



TITLE: Arduino-Pro-Mini

SFE

Sheet: 1/1