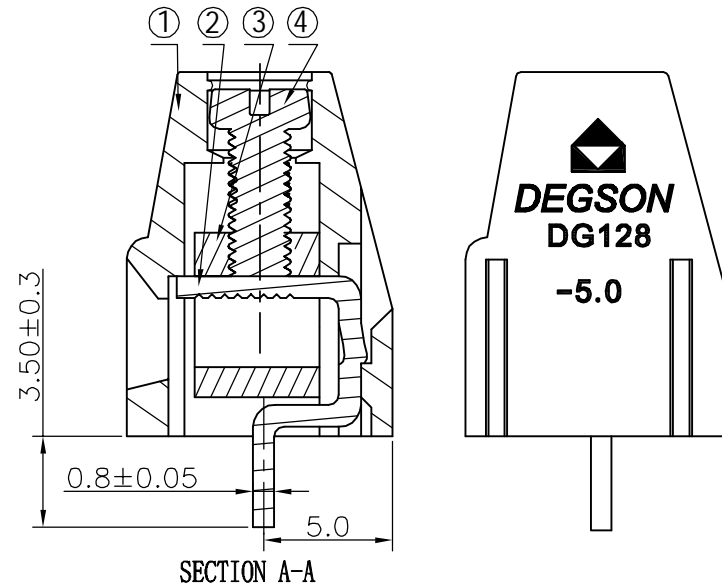
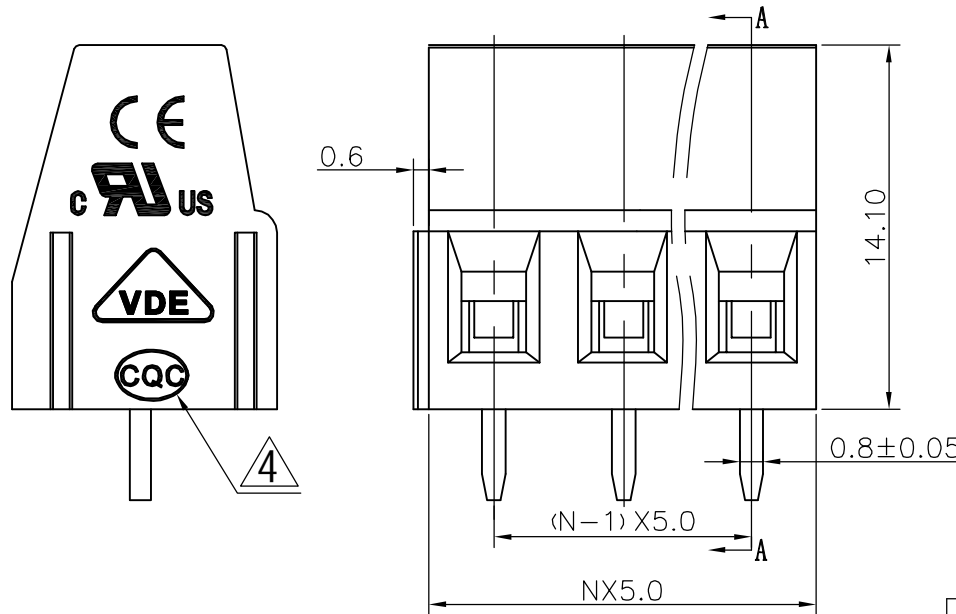
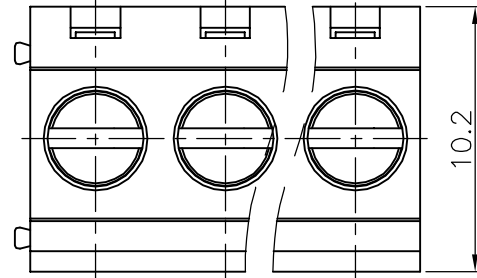


REVISION RECORD				
REV	ECN	DESCRIPTION	DRFT	DATE
△		Drawing Revise	Haoyh	03/22/06
△		Drawing Revise	WF	07/06/07*
△		增加VDE、CE标志	LJH	11/09/07*
△		增加CQC刻字	Zengy	02/10/09*
△	10-0246	UL电流由10A变更为15A	Lasting	08/04/10*

Notes:

- Pitch:5.0mm , Poles:2-XXP
- Rated voltage/current:UL 300V/15A △
VDE 250V/18A
- Operation temperatures:-40℃~+105℃
- Withstanding Voltage:AC2000V/1Min
- Insulation Resistance:5000MΩ/DC1000V
- Wire Range:24~12AWG, 2.5mm²
- Max. Torque Value:M2. 5, 4. 08kgf. cm
- Undimensioned Tolerances:

Pitch range in mm		Nominal dimension range in mm					
to	over	over	over	over	over	over	
6	6 to 10	10 to 24	30 to 30	60 to 60	100 to 150	150	—
±0.10	±0.15	±0.25	±0.2	±0.3	±0.5	±0.7	±1.0
							0.05/10



4	DG128"-Screws	S000001460 (H)	XX	Steel	Cr ³⁺ Zn
3	DG128-Cage	X000000020 (H)	XX	Brass	Ni plated
2	DG128-Pin header	4027B00010 (H)	XX	Brass	SnCe

ITEM	NAME OF PART	NO. OF PART	Q'TY	MATERIAL	NOTES
1	DG128-5.0-Housing	4027A0YXXA (H)	1	PA66	UL94V-0

← MM (INCH) →	DFTO DZJ	DATE 01/13/05*
TOLERANCES EXCEPT AS NOTED	CHKD	DATE
	MFO	DATE
MM	APPVL	DATE
.0 ±		
.00 ±		
.000 ±		
	MATERIAL :	
ANGLES ± 1°	G.E :	
THIRD ANGLE PROJECTION	FINISH :	
	SCALE : 1:1	

宁波高正电子有限公司 DEGSON ELECTRONICS CO., LTD	
NAME DG128-5.0-XXP-1Y-00A(H)	
DRAWING NO. DG128-5.0-E06	SIZE A3
/PART NO.	REV T5 08/04/10*
DO NOT SCALE DRAWING	SHEET 1 OF 1