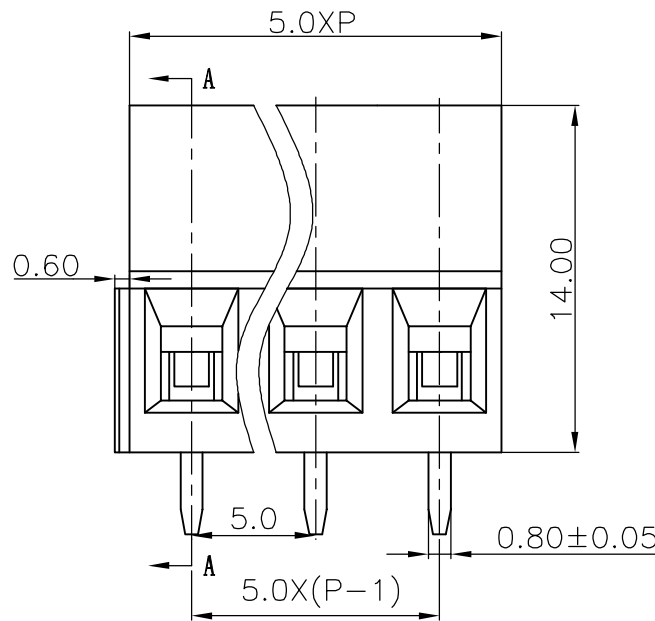
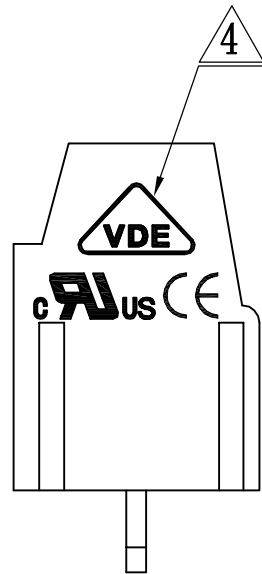
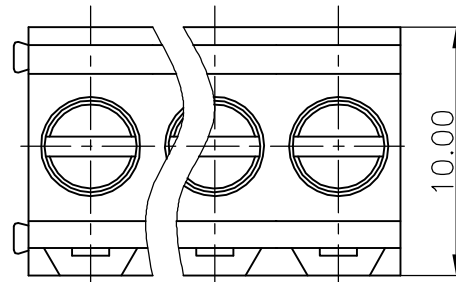


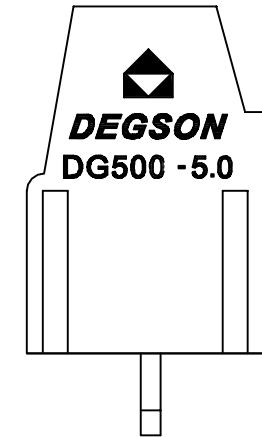
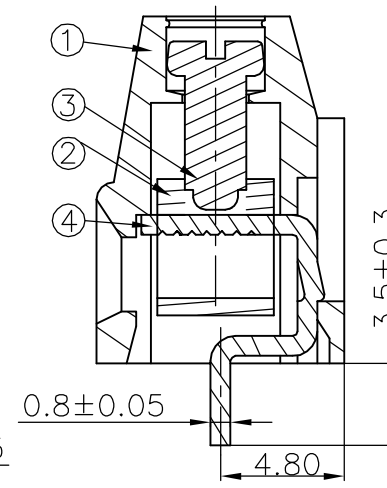
REVISION RECORD				
REV	ECN	DESCRIPTION	DRFT	DATE
△		Drawing Revise	Haoyh	04/18/06
△		针宽由0.9±0.05改为0.8±0.05	YeJ	02/05/07
△		修改UL刻字	CSX	08/03/07
△		增加VDE、CE标志	LJH	11/14/07
△	10-0245	UL电流10A变更为15A	Lasting	08/02/10

Notes:

- Pitch:5.0mm
- Rated voltage/current:UL 300V/15A △
VDE 250V/18A
- Operation temperatures:-40° C~+105° C
- Insulation Withstand Voltage:AC2000V/1Min
- Insulation Resistance:5000MΩ/DC1000V
- Wire Range:24-12AWG 2.5mm²
- Max. Torque Value: 4.08kgf.cm
- Undimensioned Tolerances:



Pitch range in mm		Nominal dimension range in mm						
to	over	to	over	to	over	to	over	
6	10	10	24	30	60	100	150	∩
6	10	24	30	60	100	150		◇
	±0.10	±0.15	±0.25	±0.2	±0.3	±0.5	±0.7	±1.0
								0.05/10



ITEM	NAME OF PART	NO. OF PART	Q'TY	MATERIAL	NOTES
1	DG500-5.0-Housing	4045A0YXXA (H)	1	PA66	UL94V-0

DETACHED LISTS	MM (INCH)	DFTO Haoyh	DATE 06/27/05
	TOLERANCES EXCEPT AS NOTED	CHKD	DATE
		MFO	DATE
		APPVL	DATE
	MM		
	.0 ±	±	
	.00 ±	±	
	.000 ±	±	
	ANGLES ± 1°	G.E :	
	THIRD ANGLE PROJECTION	FINISH :	
		SCALE :	

NAME		DEGSON® 宁波高正电子有限公司	
NAME		DEGSON ELECTRONICS CO., LTD	
DRAWING NO. DG500-5.0-E02		SIZE	REV
/PART NO.		A3	T5
DO NOT SCALE DRAWING		SHEET 1	OF 1

ITEM	NAME OF PART	NO. OF PART	Q'TY	MATERIAL	NOTES
4	DG128-Pin	4027B00010 (H)	XX	Brass	SnCe
3	DG128 Screw-M2.5	S000001460 (H)	XX	Steel	Cr ³⁺ Zn
2	DG128 Brass Cage	X000000020 (H)	XX	Brass	Ni plated