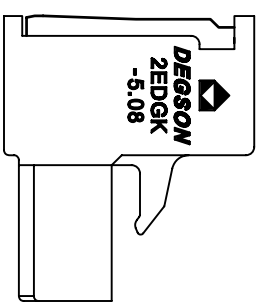
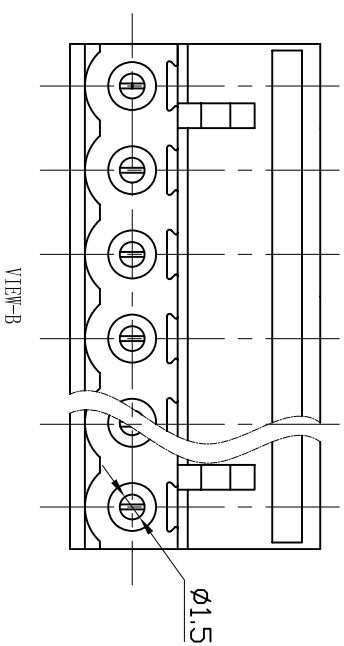
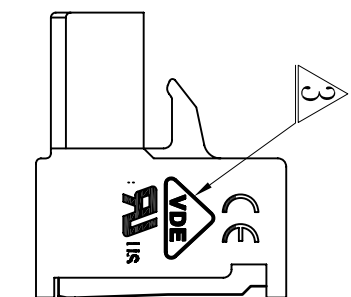
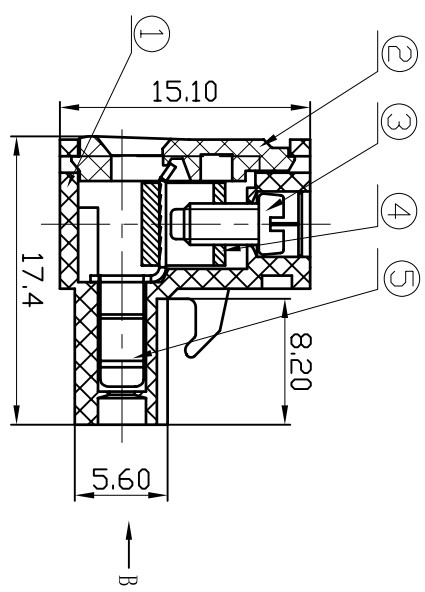
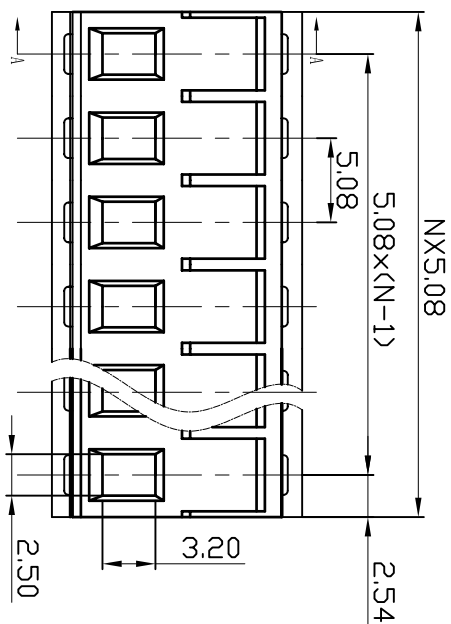


REVISION RECORD			
REV	ECD	DESCRIPTION	DWFT DATE
△		Drawing amend	12/13/05
△		增加VDE、CE认证标志	LJH 01/14/08



- Notes:
1. Pitch: 5.08mm Poles: 2-24p
 2. Rated voltage/current: UL 300V/15A VDE 320V/20A
 3. Insulation resistance: 5000MΩ/1000V
 4. Withstanding voltage: AC1500V/1min
 5. Wire range: 28-12AWG 2.5mm²
 6. Temp. Range: -40° C~+105° C
 7. Torque: 4.08kgf.cm (3.5lb. in)
 8. Undimensioned Tolerances:

Pitch range in mm	Nominal dimension range in mm			
	over to	over to	over to	over to
6 to 10	10 to 24	30 to 60	60 to 100	100 to 150
10 to 15	24 to 30	60 to 100	100 to 150	150 to 200
±0.10	±0.15	±0.25 ±0.2 ±0.3	±0.5 ±0.7	±1.0 ±0.5/1.0

5	2EDG Clamp	1005B0010 (H)	XX	XX	Plastic bronze	Ni plated
4	DG128 Brass cage	X000000020 (H)	XX	XX	Brass	Ni plated
3	2EDG "—" Screws-M2.5	S000001370 (H)	XX	XX	Steel	C ₃ ⁺ Zn
2	2EDGK-5.08-Cover	1005C0YXXA (H)	1	1	PA66	UL94V-0

ITEM	NAME OF PART	NO. OF PART	Q'TY	MATERIAL	NOTES
1	2EDGK-5.08-Housing	1005A0YXXA (H)	1	PA66	UL94V-0

DETACHED LISTS	
TOLERANCES EXCEPT AS NOTED	DATE 04/18/05
MM	DATE
0.05 ±	DATE
0.10 ±	DATE
0.20 ±	DATE
0.30 ±	DATE
0.50 ±	DATE
1.00 ±	DATE
ANGLES ± 1°	MATERIAL
±	GE
±	FINISH
THIRD ANGLE PROJECTION	SCALE: 1:1
DD NOT SCALE DRAWING	SHEET 1 OF 1

NAME		DEGSON 宁波德胜电子有限公司	
DRAWING NO. 2EDGK-5.08-E08		DEGSON ELECTRONICS CO., LTD	
/PART NO.		SIZE	REV
		A3	T3
		DATE	DATE
		01/14/08	01/14/08