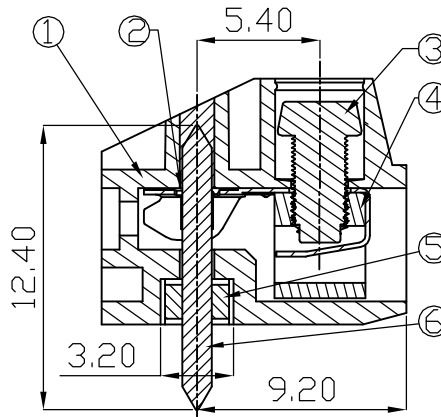
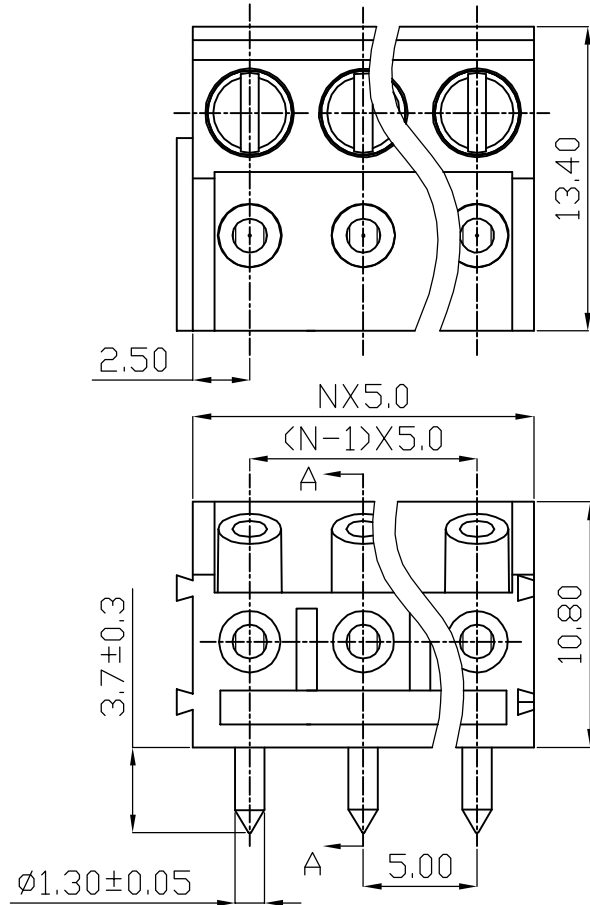
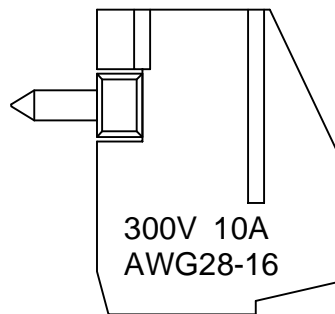
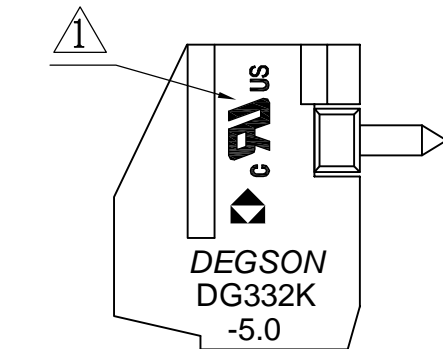


REVISION RECORD				
REV	ECD	DESCRIPTION	DRFT	DATE
△		去掉UL中的小“R”字	WLM	07/15/08

RoHS



SECTION A-A



Notes:

1. Pitch: 5.0mm , Poles: 2-XXP
2. Rated voltage/current: UL 300V/10A
IEC 250V/17.5A
3. Operation temperatures: -30°C ~ +120°C
4. Withstanding Voltage: AC2000V/1min
5. Insulation Resistance: 5000MΩ / DC1000V
6. Wire Range: 28~16AWG, 1.5mm²
7. Max. Torque Value: M2.5, 4.08kgf.cm
8. Undimensioned Tolerances:

Pitch range in mm		Nominal dimension range in mm					
to	over	over	over	over	over	over	
6	10	10	30	60	100	150	□
±0.10	±0.15	±0.25	±0.2	±0.3	±0.5	±0.7	±1.0
							0.05/10

ITEM	NAME OF PART	NO. OF PART	Q'TY	MATERIAL	NOTES
6	DG332-Pin header	4014B00010 (H)	XX	Brass	SnCe
5	DG332J-5.0-Housing	4014A03XXA (H)	1	PA66+10%GF	UL94V-0
4	DG332-Cage	X000000280 (H)	XX	Brass	Ni plated
3	DG332-Screws	S000001390 (H)	XX	Steel	Cr ³⁺ Zn
2	DG332-Spring	X000000270 (H)	XX	Phosphor bronze	Ni plated
1	DG332K-5.0 Housing	4013A02XXB (H)	1	PBT	UL94V-0

TOLERANCES EXCEPT AS NOTED		DATE 03/26/08*		DEGSON® 宁波高正电子有限公司 DEGSON ELECTRONICS CO., LTD	
MM	±	CHKD	DATE	NAME	
.0 ±	±	MFD	DATE	DG332KJ-5.0-XXP-1Y-00A(H)	
.00 ±	±	APPVL	DATE	DRAWING NO. DG332KJ-E01	
.000 ±	±	MATERIAL :		/PART NO.	
ANGLES ± 1°		G.E :		SIZE A3	
THIRD ANGLE PROJECTION		FINISH:		REV T1	
SCALE : 1 : 1		DO NOT SCALE DRAWING		07/15/08	
			SHEET 1		OF 1