

# USB Series

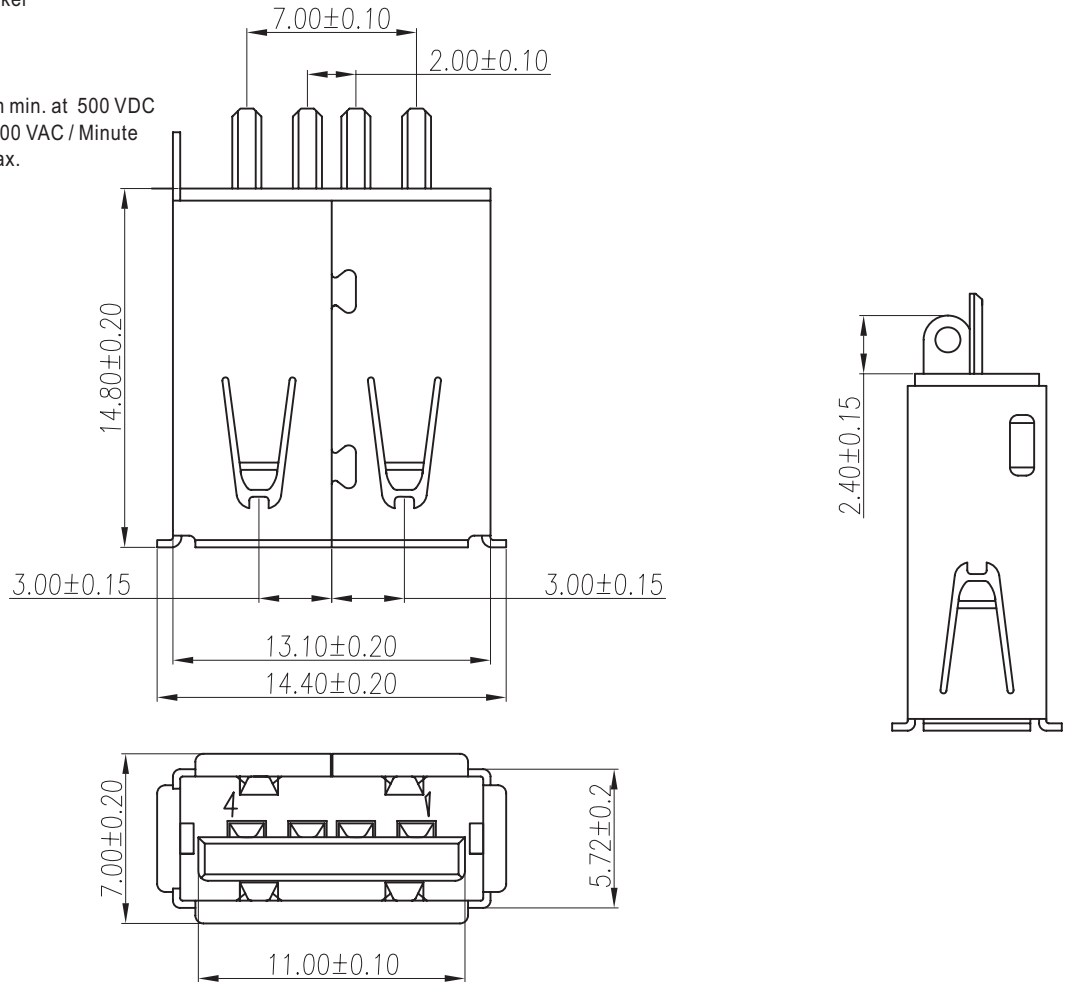
## KLS1-181D USB-AF Solder Type, Short Shell

### Material:

Housing: 30% Glass filled PBT UL94V-0  
Contacts: Phosphor Bronze  
Pin Plated: Gold 3u" over 50u" nickel

### Electrical Characteristics:

Current Rating: 1 AMP  
Insulator Resistance: 1000M Ohm min. at 500 VDC  
Dielectric Withstanding Voltage: 500 VAC / Minute  
Contact Resistance: 30m Ohm max.  
Temperature: -55°C ~ +105°C



## ORDER INFORMATION

Product NO.: KLS1 - 181D - B

Pos. NO. \_\_\_\_\_  
USB-AF \_\_\_\_\_  
Solder Type, Short Shell \_\_\_\_\_  
Color=W White: B=Black